

SEE WHAT YOU'VE BEEN MISSING.

Shorter Treatment Time AND Extraordinary Results!



The *Carriere*® *SLX*™ Bracket System

fast

gentle

natural

 **HENRY SCHEIN**®
ORTHODONTICS

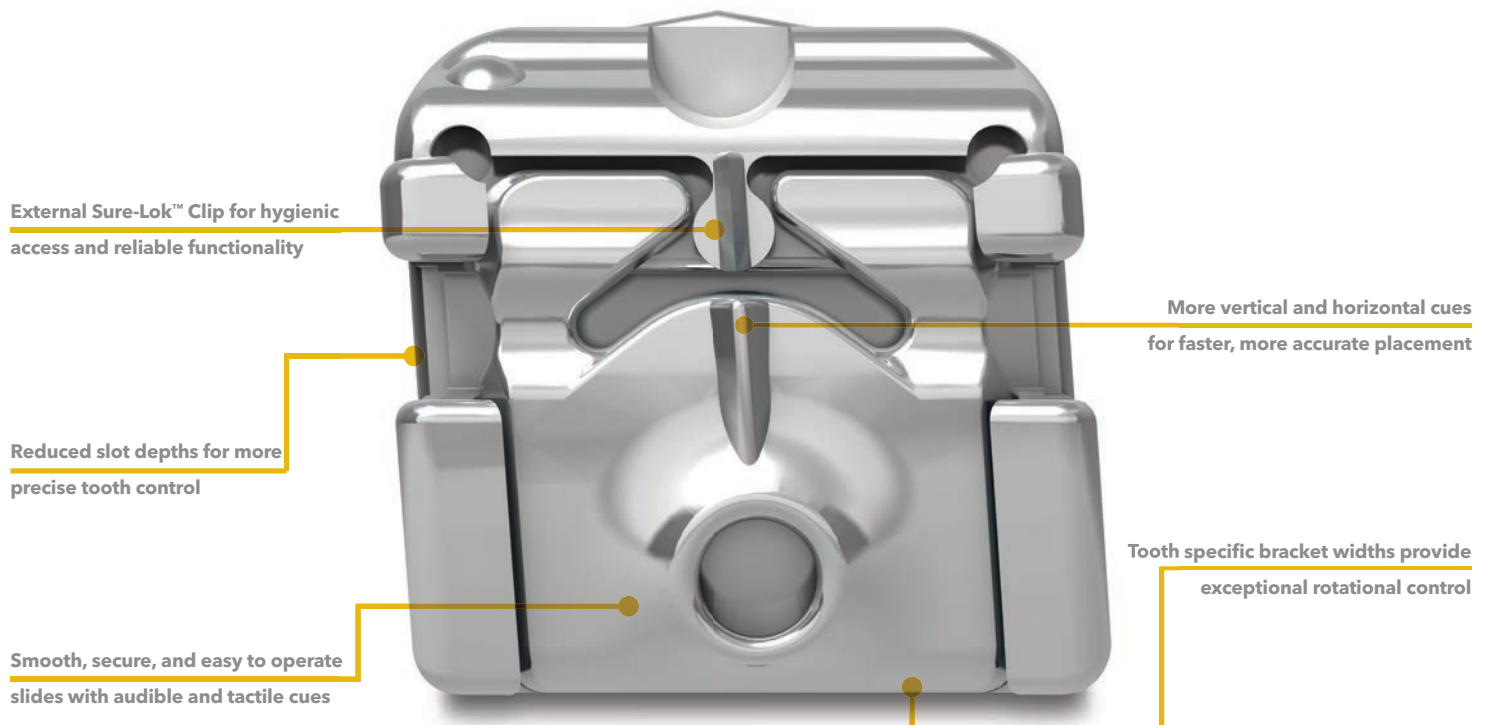
The New Movement In Orthodontics™

The Standard in Performance. The Reality in Value.

The *SLX* Bracket System

It's the most exciting news in orthodontic appliance design in years. The completely re-engineered *SLX* Self-Ligating Appliance System. The *SLX* Bracket System resets the standards for excellence and performance in passive self-ligating brackets with numerous clinician driven innovations for clinical effectiveness and efficiency.

Discover the many innovative features of the *SLX* Bracket System— all designed to meet your ultimate goals—effective case management, optimal tooth positioning, and meticulous finishes.



Your Peers are Raving About the SLX Bracket!

"The switch from Damon to Carriere has been a big win in simplicity, cost, chair time, and treatment outcomes."

- John Stieber, DDS, PS

"SLX brackets include important design enhancements to improve tooth control and as such, will enable clinicians to take their SL cases to the next level."

- David Paquette, DDS, MS, MSD

"The Carriere Bracket System has the features to provide clinicians with greater efficiency, better finishes, and a lower price...I couldn't be happier."

- Michael Ragan, DDS

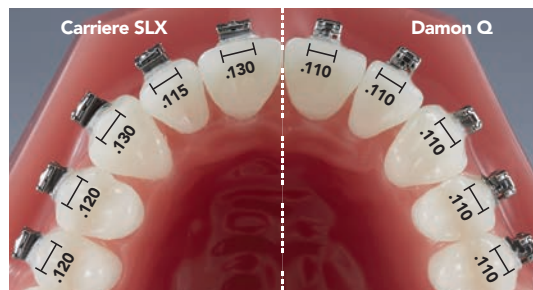
Optimal Bonding Base:

- Optimized Compound Contours base makes bracket seating intuitive, fitting nicely "like a glove". Each anatomically-derived, compound contoured base is tooth specific for exceptional bracket- to-tooth fit
- Adhesive Guard Rails™ (AGR) Technology allows for better bracket seating. AGR direct adhesive mesial-distal for faster, easier clean-up



Performance and Finishing

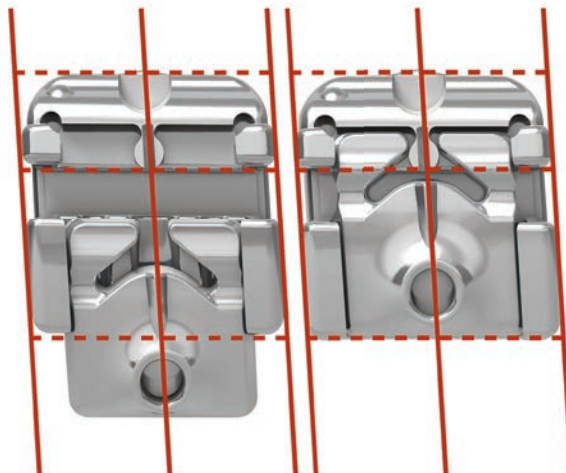
- Tooth specific bracket widths for improved rotational control
- Deeper tie wings for easy, secure chain and elastic ligature use; no need to ligate or tie chain under wire
- Reduced slot depths for more precise tooth control
- Fully integrated (optional) hooks means no need for expensive, hard to handle drop-in hooks



Exceptional Clinical Control and Meticulous Finishes—Outperforming the Competition.

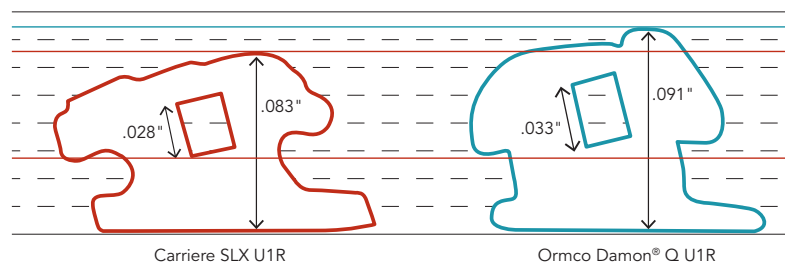
More Visual Cues:

- The SLX Bracket has multiple vertical and horizontal cues as part of the bracket design as compared to other competitors
- Improved bracket to tooth visualization improves bracket placement, therefore fewer bends, fewer rebonds and shorter treatment time



Efficiency—A Matter of Time

- Upper and lower brackets open to the occlusal to avoid tissue interferences
- External clasp and spring with easy access for brushing ensure effortless, reliable functionality throughout treatment
- Smooth, secure, and simple to operate slides with audible and tactile cues
- Lower profile design for patient comfort and less occlusal interference



Carriere SLX U1R

Ormco Damon® Q U1R

Prescriptions and Ordering Information

ALL PRESCRIPTIONS*

	CENTRALS			LATERALS			CUSPIDS			1ST BICUSPIDS			2ND BICUSPIDS		
	TRQ.	ANG.	ANTI-ROT.	TRQ.	ANG.	ANTI-ROT.	TRQ.	ANG.	ANTI-ROT.	TRQ.	ANG.	ANTI-ROT.	TRQ.	ANG.	ANTI-ROT.
MAXILLARY															
Optimized Damon High Torque	+17°	+4°	0°	+10°	+8°	0°	+7°	+8°	0°	-7°	0°	0°	-7°	0°	0°
Optimized Damon Standard Torque	+12°	+5°	0°	+8°	+9°	0°	0°	+6°	0°	-7°	0°	0°	-7°	0°	0°
McLaughlin, Bennett, and Trevisi	+17°	+4°	0°	+10°	+8°	0°	-7°/0°	+9°/+6°	0°	-7°	0°	0°	-7°	0°	0°
Roth	+12°	+5°	0°	+8°	+9°	0°	-2°	+9°	+4M°	-7°	0°	+2D°	-7°	0°	+2D°
MANDIBULAR															
Optimized Damon High Torque	-1°	0°	0°	-1°	0°	0°	+7°	+4°	0°	-12°	+2°	0°	-17°	+2°	0°
Optimized Damon Standard Torque	-1°	0°	0°	-1°	0°	0°	0°	+5°	0°	-12°	+2°	0°	-17°	+2°	0°
McLaughlin, Bennett, and Trevisi	-6°	0°	0°	-6°	0°	0°	-6°/0°	+4°/+5°	0°	-12°	+2°	0°	-17°	+2°	0°
Roth	-1°	0°	0°	-1°	0°	0°	-11°	+5°	+2M°	-17°	+2°	+4D°	-22°	+2°	+4D°

ALL KITS*

Rx	OPTION	QTY. OF SETS.	TOTAL BRACKETS	ITEM NUMBERS	
				.018	.022
Optimized Damon High Torque	U/L 5x5 kit with no hooks	1	20	–	713-397HT
	U/L 5x5 kit with hooks on 3's	1	20	–	713-398HT
	U/L 5x5 kit with hooks on 3's, 4's, 5's	1	20	–	713-399HT
Optimized Damon Standard Torque	U/L 5x5 kit with no hooks	1	20	–	713-397ST
	U/L 5x5 kit with hooks on 3's	1	20	–	713-398ST
	U/L 5x5 kit with hooks on 3's, 4's, 5's	1	20	–	713-399ST
McLaughlin, Bennett, and Trevisi	U/L 5x5 kit with no hooks	1	20	–	713-397MC
	U/L 5x5 kit with hooks on 3's	1	20	–	713-398MC
	U/L 5x5 kit with hooks on 3's, 4's, 5's	1	20	–	713-399MC
Roth	U/L 5x5 kit with no hooks	1	20	–	713-397
	U/L 5x5 kit with hooks on 3's	1	20	–	713-398
	U/L 5x5 kit with hooks on 3's, 4's, 5's	1	20	–	713-399

*Ortho Organizers' prescription does not imply endorsement by the doctor(s).

Prescriptions and Ordering Information (Continued)

OPTIMIZED DAMON PRESCRIPTIONS* (10 PER PACK)

								ITEM NUMBERS	
	DESC	COLOR-CODE	TOOTH#	VARIABLE	TRQ.	ANG.	ANTI-ROTATION	.022 R	.022 L
MAXILLARY									
Centrals	-	Black	U1	Super	+22°	+5°	0°	713-305-10	713-306-10
	-	Black	U1	High	+17°	+4°	0°	713-309-10	713-310-10
	-	Black	U1	Standard	+12°	+5°	0°	713-307-10	713-308-10
Laterals	-	Pink	U2	Super	+14°	+9°	0°	713-319-10	713-320-10
	-	Pink	U2	High	+10°	+8°	0°	713-327-10	713-328-10
	-	Pink	U2	Standard	+8°	+9°	0°	713-323-10	713-324-10
Cuspids	-	Green	U3	High	+7°	+8°	0°	713-349-10	713-350-10
	Hook	Green	U3	High	+7°	+8°	0°	713-349HK-10	713-350HK-10
	-	Green	U3	Standard	0°	+6°	0°	713-355-10	713-356-10
	Hook	Green	U3	Standard	0°	+6°	0°	713-355HK-10	713-356HK-10
	-	Green	U3	Low	-7°	+9°	0°	713-353-10	713-354-10
	Hook	Green	U3	Low	-7°	+9°	0°	713-353HK-10	713-354HK-10
Bicuspids	-	Purple	U4&5's	-	-7°	0°	0°	713-357-10	713-358-10
	Hook	Purple	U4&5's	-	-7°	0°	0°	713-357HK-10	713-358HK-10
MANDIBULAR									
Anteriors	-	Yellow	L1&2's	Super	+3°	0°	0°	713-333-10	713-333-10
	-	Yellow	L1&2's	High & Std	-1°	0°	0°	713-335-10	713-335-10
	-	Yellow	L1&2's	Low	-6°	0°	0°	713-337-10	713-337-10
Cuspids	-	Blue	L3	High	+7°	+4°	0°	713-363-10	713-364-10
	Hook	Blue	L3	High	+7°	+4°	0°	713-363HK-10	713-364HK
	-	Blue	L3	Standard & Low	0°	+5°	0°	713-373-10	713-374-10
	Hook	Blue	L3	Standard & Low	0°	+5°	0°	713-373HK-10	713-374HK-10
1st Bicuspids	-	Gray	L4	-	-12°	+2°	0°	713-387-10	713-388-10
	Hook	Gray	L4	-	-12°	+2°	0°	713-387HK-10	713-388HK-10
2nd Bicuspids	-	White	L5	-	-17°	+2°	0°	713-391-10	713-392-10
	Hook	White	L5	-	-17°	+2°	0°	713-391HK-10	713-392HK-10



*The Optimized Damon prescription is similar to the Damon MX prescription offered by Ormco and does not imply endorsement by the doctor(s).

MCLAUGHLIN, BENNETT, AND TREVISI PRESCRIPTIONS* (10 PER PACK)

							ITEM NUMBERS	
	DESC.	COLOR-CODE	TOOTH#	TRO.	ANG.	ANTI-ROTATION	.022 R	.022 L
MAXILLARY								
Centrals	–	Black	U1	+17°	+4°	0°	713-309-10	713-310-10
Laterals	–	Pink	U2	+10°	+8°	0°	713-327-10	713-328-10
Cuspids	–	Green	U3	-7°	+9°	0°	713-353-10	713-354-10
	Hook	Green	U3	-7°	+9°	0°	713-353HK-10	713-354HK-10
	–	Green	U3	0°	+6°	0°	713-355-10	713-356-10
	Hook	Green	U3	0°	+6°	0°	713-355HK-10	713-356HK-10
Bicuspids	–	Purple	U4&5's	-7°	0°	0°	713-357-10	713-358-10
	Hook	Purple	U4&5's	-7°	0°	0°	713-357HK-10	713-358HK-10
MANDIBULAR								
Anteriors	–	Yellow	L1&2's	-6°	0°	0°	713-337-10	713-337-10
Cuspids	–	Blue	L3	-6°	+4°	0°	713-371-10	713-372-10
	Hook	Blue	L3	-6°	+4°	0°	713-371HK-10	713-372HK-10
	–	Blue	L3	0°	+5°	0°	713-373-10	713-374-10
	Hook	Blue	L3	0°	+5°	0°	713-373HK-10	713-374HK-10
1st Bicuspids	–	Gray	L4	-12°	2°	0°	713-387-10	713-388-10
	Hook	Gray	L4	-12°	2°	0°	713-387HK-10	713-388HK-10
2nd Bicuspids	–	White	L5	-17°	2°	0°	713-391-10	713-392-10
	Hook	White	L5	-17°	2°	0°	713-391HK-10	713-392HK-10

ROTH PRESCRIPTION* (10 PER PACK)

							ITEM NUMBERS			
	DESC.	COLOR-CODE	TOOTH#	TRO.	ANG.	ANTI-ROTATION	.018 R	.018 L	.022 R	.022 L
MAXILLARY										
Centrals	–	Black	U1	+12°	+5°	0°	713-207-10	713-208-10	713-307-10	713-308-10
Laterals	–	Pink	U2	+8°	+9°	0°	713-223-10	713-224-10	713-323-10	713-324-10
Cuspids	–	Green	U3	-2°	+9°	4°M	713-251-10	713-252-10	713-351-10	713-352-10
	Hook	Green	U3	-2°	+9°	4°M	713-251HK-10	713-252HK-10	713-351HK-10	713-352HK-10
Bicuspids	–	Purple	U4&5's	-7°	0°	2°D	713-259-10	713-260-10	713-359-10	713-360-10
	Hook	Purple	U4&5's	-7°	0°	2°D	713-259HK-10	713-260HK-10	713-359HK-10	713-360HK-10
MANDIBULAR										
Anteriors	–	Yellow	L1&2's	-1°	0°	0°	713-235-10	713-235-10	713-335-10	713-335-10
Cuspids	–	Blue	L3	-11°	+5°	2°M	713-267-10	713-268-10	713-367-10	713-368-10
	Hook	Blue	L3	-11°	+5°	2°M	713-267HK-10	713-268HK-10	713-367HK-10	713-368HK-10
1st Bicuspids	–	White	L4	-17°	+2°	4°D	713-289-10	713-290-10	713-389-10	713-390-10
	Hook	White	L4	-17°	+2°	4°D	713-289HK-10	713-290HK-10	713-389HK-10	713-390HK-10
2nd Bicuspids	–	Red	L5	-22°	+2°	4°D	713-293-10	713-294-10	713-393-10	713-394-10
	Hook	Red	L5	-22°	+2°	4°D	713-293HK-10	713-294HK-10	713-393HK-10	713-394HK-10

*Ortho Organizers' prescription does not imply endorsement by the doctor(s).

Patient Materials Your Staff Will Love!

Accessories



It's easy to open the brackets with the *Carriere Double Ended Opener Instrument*.

Item Number 201-505

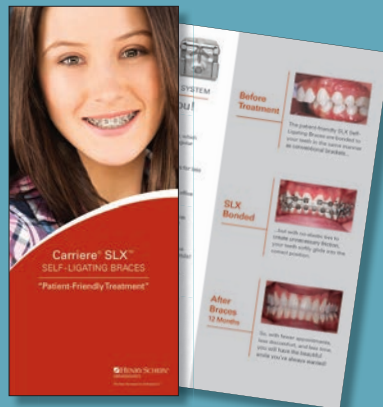
SLX Patient Education Brochure

Item Number 999-256
Pack of 15

Get your patients excited about the advantages of *Carriere SLX* treatment. Features before and after photos of actual patients.

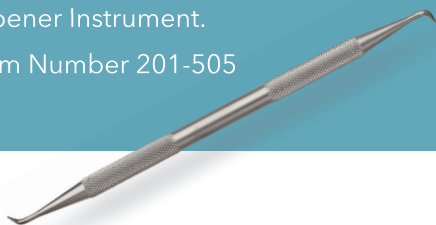
15X Model of the *Carriere SLX* Bracket

Item Number 631-713X



Typodont with *Carriere SLX* Brackets

Item Number 631-713



The mission of *Henry Schein® Orthodontics™* is to provide state-of-the-art orthodontic products and innovative clinical solutions that enable our customers to offer exceptional patient care, while expanding the scope and profitability of their practices.

HENRY SCHEIN®
ORTHODONTICS



The New Movement In Orthodontics™

For more information on our products and educational offerings, please contact us:

HenryScheinOrtho.com | Customer Service: **888.851.0533**

In the U.S.: **800.547.2000**

Outside the U.S.: **+(1) 760.448.8600**

Canada: CERUM **800.661.9567**

To email an order: **USASales@HenryScheinOrtho.com**

To email an order from outside the U.S.: **IntlOrders@OrthoOrganizers.com**

Ortho Organizers, Inc. 1822 Aston Ave. Carlsbad, CA 92008-7306 USA

© 2017 Ortho Organizers, Inc. All rights reserved. PN 999-282 Rev. A 2/17. U.S. Patent No. 7,618,257, 6,976,839, and 7,238,022 and foreign patent numbers 2,547,433, 1723927, and 2006202089. Damon 2, Damon 3, and In-Ovation-R are the property of their respective owners.

